

APPROVED BY THE GOVERNMENT OF THE DEMOCRATIC SOCIALIST REPUBLIC OF SRI LANKA AS A DEGREE AWARDING INSTITUTE UNDER SECTION 25A OF THE UNIVERSITIES ACT NO. 16 OF 1978 AND AS AMENDED BY GAZETTE NOTIFICATIONS 1154/9 OF OCTOBER 17, 2000 AND 1334/5 OF MARCH 30, 2004. FOR THE AWARD OF B.Sc. AND M.Sc. DEGREES IN THE FIELD OF INFORMATION TECHNOLOGY.

SRI LANKA INSTITUTE OF INFORMATION TECHNOLOGY IS A MEMBER OF THE ASSOCIATION OF COMMONWEALTH UNIVERSITIES.

Sri Lanka Institute of Information Technology reserves the right to amend any policy or programme or course of study described herein without prior notice.

© Copyright Sri Lanka Institute of Information Technology 2010.

Content

Introduction	1
SLIIT Campuses	4
M.Sc. Degree/Postgraduate Diploma Programmes	5
Performance Criteria for the award of M.Sc./PG Diploma	12
Student Feedback	14
Computer Laboratory Facilities	15
Library/ R&D Facilities	16
Software Engineering Services Division	17
Professional Development Programmes Division	17
IT Services Division	18
Links with Foreign Universities & IT Industry	18
Fees	19
Student Conduct	20
Board of Directors	21
Board of Studies	21

OUR VISION

To be a Center of Excellence to advance and disseminate knowledge, foster and promote innovation and produce world-class professionals in the field of Information and Communication Technologies to best serve the nation and beyond.

OUR MISSION

To ensure Sri Lanka profits from Information Technology by providing education & training, conducting and promoting research and development, providing consultancy and software services, and nurturing IT ventures, thus ensuring the availability of a rich pool of experts in IT within the country.





Introduction

Sri Lanka Institute of Information Technology (SLIIT) is the largest Degree Awarding Institute in the field of Information Technology recognized by the University Grants Commission under the Universities Act. It was established in the year 1999 to educate and train Information Technology (IT) Professionals required by the fast growing IT Industry in Sri Lanka. The establishment of the SLIIT was spearheaded by the then Ministries of Education and Higher Education, Finance and Planning and the Ministry of Internal and International Commerce and Food. Presently, SLIIT comes under the purview of the Ministry of Science and Technology.

To achieve these objectives SLIIT conducts programmes of studies leading to B.Sc. Degrees, B. Sc. Special Honours Degrees, Postgraduate Diplomas, M.Sc. Degrees and several Continuing Professional Development Programmes in niche areas in IT. The M.Sc. degree programmes have fields of specialization in Information Technology (IT), Information Management (IM), and Information Systems (IS). SLIIT has also established a Software Engineering Services Division to undertake software and consultancy services, and the Sri Lanka Technology Incubator to undertake and promote research and development in IT.

The objectives of the Institute

- Education & training of IT professionals at a high level of excellence.
- Provision of IT consultancy services and software services to public and private sector enterprises of Sri Lanka at reasonable cost.
- Conduct and promotion of research & development in IT leading to specialized applications, services and innovative IT products.
- Assisting and promoting IT enterprises, innovators and IT start-up companies to achieve business objectives.
- Bringing IT education to the regions.

WHY SLIIT?

Highly qualified, dedicated in-house academic staff, professional career focussed education, innovative study programmes, outstanding facilities are some of the reasons that make the SLIIT the right choice for you. SLIIT ensures its students a learning experience that is enriching and enlightening.

Presently, SLIIT operates two Campuses and two Centres viz. the Metropolitan Campus at Kollupitiya, Colombo, the Malabe Campus at Malabe, the Kandy Centre at Kandy and the Matara Centre at Matara.

The total enrolment of students at SLIIT for Bachelor's degree programmes amounts to 4,000 and a further 500 students follow Master's degrees, Postgraduate Diploma and other Professional Development programmes.

SLIIT provides modern facilities for students to pursue their studies. These include fully air-conditioned lecture theatres, laboratories, auditoria, libraries and reading rooms, rest areas and canteens. SLIIT also provides facilities for indoor and outdoor sports and other activities at the Malabe Campus. Off-Campus accommodation for students is available in the vicinity of the Malabe Campus.

SLIIT Laboratories comprise PC laboratories, UNIX laboratories, multi-media laboratories, data-communication laboratories, software development laboratories, projects laboratories, postgraduate laboratories and a bio-technology laboratory.

All courses conducted at SLIIT are supported by an advanced Learning Management System (LMS) that provides electronic access to all course resources from anywhere in the world, facilitating anywhere anytime learning to SLIIT students. To complement e-learning, all undergraduate students are provided with an e-mail account.

The SLIIT Libraries hold a collection of books and periodicals covering the entire range of studies offered at the Institute and students have free access to the libraries.

All students are provided with study material, in the form of books compiled by the Institute prior to commencement of classes for each semester. Students are taught and instructed by highly trained professional staff. All students are provided with free access to computer laboratories and the Internet.

Some buildings of SLIIT Malabe campus



Sri Lanka's largest Degree awarding Institute in the field of Information Technology. SLIIT degrees are approved by the University Grants Commission under the Universities Act.

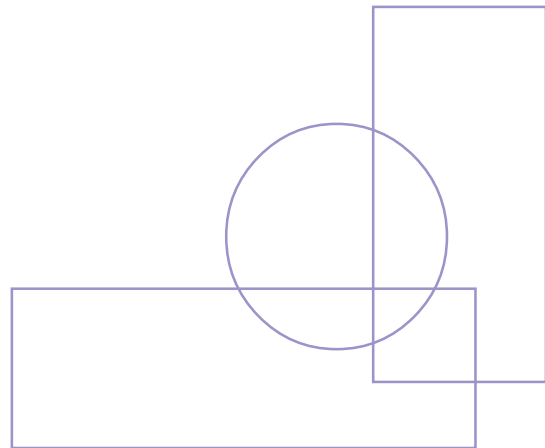


B.Sc. Degree programmes of the Institute are designed in such a manner that a candidate has the option of exiting the respective programme with an Associate Diploma, a Diploma, an Advanced Diploma, B.Sc. Degree or proceed to the B. Sc. Special Honours Degree. Students can also choose alternative pathways to graduate from foreign partner universities of SLIIT after successfully completing the Diploma.

Candidates who exit these programmes at different levels for employment or for any other reason may rejoin the respective programme at appropriate levels for final graduation.

All entering students are provided with Foundation Courses designed to improve communication skills, mathematical skills

and computer skills of the students prior to their embarking on the degree programme. The course in mathematical skills will be specially helpful to students who are from the non-mathematics streams and the course in computer skills will be helpful to those who are not familiar with basic computer skills. The course in communication skills is intended to improve the reading, writing listening and speaking abilities in English as all SLIIT programmes are conducted in the English medium.



Entrance-**SLIIT** Malabe campus



SLIIT Malabe Campus

The Malabe Campus of the SLIIT which offers mainly the Undergraduate programmes is situated on a 25 acre site in a serene environment in Malabe. SLIIT Malabe Campus has a set of aesthetically designed, modern buildings comprising a ten storeyed building, a six storeyed building and a large auditorium. This building complex has a built-up area of over 135,000 square feet and comprises lecture theatres, laboratories, auditoria, communication facilities, library and reading rooms, administration and service facilities, canteens and other infrastructure requirements such as lifts and stand-by generators.

SLIIT Kandy Centre

The Kandy Centre of the SLIIT was established in January 2002 in collaboration with E-W Information Systems Ltd. to admit 150 students for the first year of the undergraduate programme. The Centre is located at No. 155, William Gopallawa Mawatha, Kandy.

This Centre also has all infrastructure facilities such as laboratories, library and lecture rooms for the first year students to follow the identical programme as at other Campuses.

SLIIT Matara Centre

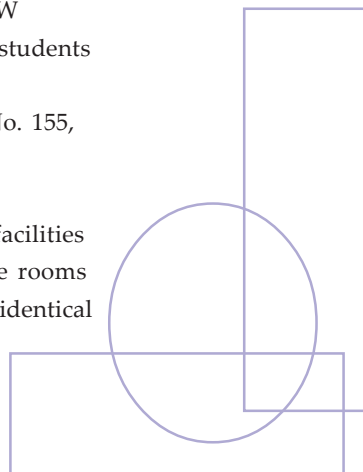
The Matara centre of the SLIIT was established in 2004 and is situated at the heart of the Matara Town by the Broadway. The centre admits upto 100 students for the first year of the degree programme. This centre also has all facilities for the first year students to follow the identical programme as at other campuses.

SLIIT Metropolitan Campus

The Colombo Metropolitan Campus of the SLIIT is located at the BoC Merchant Tower in Kollupitiya, Colombo 03. At this location facilities are available for the conduct of Undergraduate and Postgraduate degree programmes, and Professional Development programmes.

The CISCO Regional Networking Academy, the Microsoft IT Academy and the Pearson VUE Authroised Testing centre for International Certification are also located at the Metropolitan Campus.

SLIIT facilities are located on the 9th, 12th, 15th and 16th Levels of the BoC Merchant Tower. A restaurant is provided at the 10th level and banking facilities are available at the 1st and 2nd levels.



Flexible Study Options

The Sri Lanka Institute of Information Technology offers planned and targeted Master's Programmes to meet demands in the Information Technology (IT) industry. These articulated programmes include:

Master of Science in Information Technology (IT)

Master of Science in Information Management (IM)

Master of Science in Information Systems (IS)

Objectives

The objective of these articulated Master's Degree Programmes is to produce high quality graduates with advanced knowledge and skills in Information Technology at the Master's degree level, who can apply such knowledge and skill to:

- engineer innovative IT solutions for modern business and industry environments
- utilize IT strategic planning know-how in enterprises that utilize large scale IT applications
- provide expertise in the deployment of IT strategies
- undertake research and development in IT for industry and business enterprises.

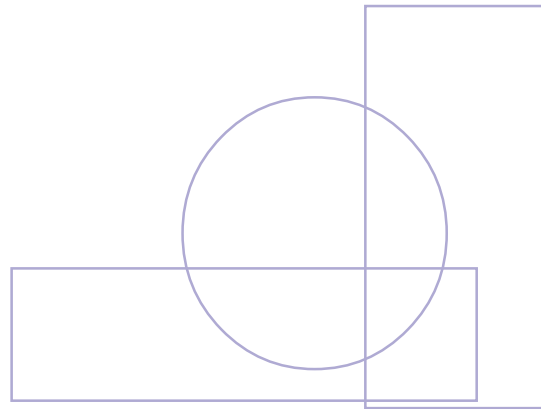
The Programmes are also structured in such a manner that those who intend to continue their studies up to PhD level will be provided with the necessary tools and the background needed to carry out more individual and self directed research involved in a PhD study.

Each of the M.Sc. Programmes will be of two years' duration or four semesters of 14 weeks each. A candidate who successfully completes the first two semesters (one year) of the programme will be eligible to receive the Postgraduate Diploma.

M.Sc. Degree/Postgraduate Diploma in Information Technology

This programme is specially designed for graduates in Information Technology, Computer Science and Computer Engineering fields and provides the participants a core of advanced knowledge and skills in IT beyond the level of a Bachelor's degree in IT. This is supplemented by a range of options within the areas of Software Engineering, Computer Networks, E-business Technologies, Database Management, Business Information Systems and the like.

The Degree is designed to impart knowledge on current and emerging developments in IT as well as to provide in-depth knowledge in advanced topics for participants to function as high-level specialists, advisors, consultants, project managers and practitioners in the field of IT.



Entry Requirements

M.Sc. in Information Technology

Candidates applying for the M.Sc. Degree in Information Technology or Postgraduate Diploma in Information Technology shall have one of the following qualifications:

- A Bachelor of Science Degree in Information Technology of the Sri Lanka Institute of Information Technology.
- A Bachelor of Science Degree in Computer Science/Engineering from a University in Sri Lanka.
- A Bachelor's degree in a relevant field from a recognized University/Institute as approved by the SLIIT with relevant experience, where necessary.
- Membership of a recognized professional institute in a relevant field as approved by SLIIT with relevant experience, where necessary.

Programme Structure

The M.Sc. in Information Technology Programme is a 64 credit programme. Students are required to select modules from the list as detailed below in order to complete the required number of credits. Each module is worth 4 credit points except for the Research Project (Project Proposal + Research & Thesis) module, which is worth 16 credit points.

Year - 1 Compulsory Modules

Course code	Module Name	Credits
540	Advanced Database Management	04
542	Advanced Operating Systems	04
543	Distributed Computing & Web Services	04
544	Information & Network Security	04
545	Advanced Computer Networks	04
549	Advanced Software Engineering & Software Architecture	04

Year - 2 Compulsory Modules

Course code	Module Name	Credits
546	IT Project Management	04
550	Software Quality Assurance, Tools & Metrics	04
551	Research Methodology	04
640	Research Project (Research & Thesis)	16

Optional Modules

Course code	Module Name	Credits
566	Mobile Communication	04
560	Principles of Management	04
574	Knowledge Management	04
505	Enterprise Applications & Relation Management	04
529	Business Process Re-engineering	04
563	Data Mining & Data Warehousing	04

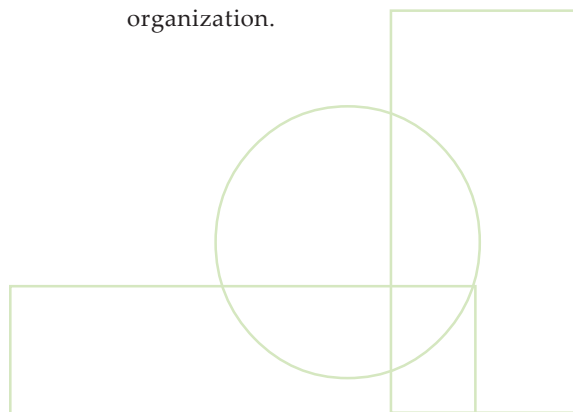
M.Sc. Degree/Postgraduate Diploma in Information Management

This programme is specially designed for graduates and members of professional bodies with managerial experience.

M.Sc. in Information Management offers participants the real edge in modern business development and planning using Information Technology tools. The programme is designed to guide participants through a proven framework integrating IT with business and to work towards developing a comprehensive Information strategic plan. The programme equips participants with Information literacy skills and a strong technical background so necessary to function effectively in an organization within fast changing

business environments replete with computer networks, electronic publishing and the Internet.

On successful completion of the programme, participants will be able to utilize Information Systems effectively within their organizations and to evaluate and select appropriate methods and technologies for representing, managing and disseminating information. They will thus be able to develop a critical awareness of modern Information and Communication Technology applications for strategic management and decision making, and to decide on the IT infrastructure most relevant to the respective organization.



Entry Requirements

M.Sc. in Information Management

Candidates applying for the M.Sc. Degree in Information Management or Postgraduate Diploma in Information Management shall have one of the following qualifications:

- A Bachelor of Science Degree in any field from a University in Sri Lanka.
- Any Bachelor's Degree in a relevant field from a recognized university or institute as approved by SLIIT.
- Membership of a recognized professional institute in a relevant field as approved by the SLIIT, together with at least 3 years of post-qualifying experience at management level.

Programme Structure

The M.Sc. in Information Management Programme is a 64 credit programme. Students are required to select modules from the list as detailed below in order to complete the required number of credits. Each module is worth 4 credit points except for the Research Project (Project Proposal + Reserach & Thesis) module, which is worth 16 credit points.

Year - 1 Compulsory Modules

Course code	Module Name	Credits
500	Productivity Software for Managers	04
501	Managing Systems Development	04
502	Management Concepts for e-Business	04
503	IT for Strategic Planning	04
504	Design, Development & Management of IT Infrastructure	04
505	Enterprise Applications & Relation Management	04

Year - 2 Compulsory Modules

Course code	Module Name	Credits
547	Finance Systems and Business Process	04
551	Research Methodology	04
576	Business Forecasting ...	04
600	Research Project (Research & Thesis)	16

Optional Modules

Course code	Module Name	Credits
574	Knowledge Management	04
522	Software Technology (OOP)	04
544	Information & Network Security	04
530	Rapid Application Development	04
577	Organizational Behaviour	04
529	Business Process Re-engineering	04

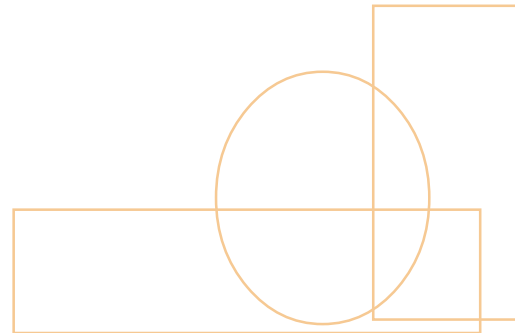
M.Sc. Degree/Postgraduate Diploma in Information Systems (Business Information Technology)

This programme is designed for non-IT graduates who have specialized in other disciplines and who wish to acquire up-to-date knowledge and skills in IT so that they can participate meaningfully and authoritatively in any aspect of Information Systems Development and Management within an organization. This M.Sc. also provides an avenue for participants to embark on a modern lucrative IT related career.

M.Sc. in Information Systems is focused on developing strong technical competence in modern

IT practices and offers participants breadth of choice and depth of understanding in the application of IT in a variety of contexts.

This programme also gives graduates in non-computing disciplines, the opportunity to further develop their intellectual maturity, as well as adding a new discipline to their portfolios.



Entry Requirements

M.Sc. in Information Systems

Candidates applying for the M.Sc. Degree in Information Systems or Post graduate Diploma in Information Systems shall have one of the following qualifications:

- A Bachelor of Science Degree in any field from a University in Sri Lanka.
- Any Bachelor's Degree in a relevant field from a recognized University or institute as approved by SLIIT with relevant experience, where necessary.
- Membership of a recognized professional institute in a relevant field as approved by the SLIIT with relevant experience, where necessary.

Programme Structure

The M.Sc. in Information Systems Programme is a 64 credit programme. Students are required to select modules from the list as detailed below in order to complete the required number of credits. Each module is worth 4 credit points except for the Research Project (Project Proposal + Reserach & Thesis) module, which is worth 16 credit points.

Year - 1 Compulsory Modules

Course Code.	Module Name	Credits
520	Software Engineering	04
521	Database Management Systems	04
522	Software Technology (Object Oriented Programming)	04
524	Computer Networks	04
530	Rapid Application Development	04
531	Information Systems Theory and Practice	04

Year - 2 Compulsory Modules

Course Code.	Module Name	Credits
529	Business Process Re-engineering	04
551	Research Methodology	04
577	Organizational Behavior	04
620	Research Project (Research & Thesis)	16

Optional Modules

Course Code.	Module Name	Credits
500	Productive Software for Managers	04
502	Management Concepts for e-Business	04
504	Design, Development & Management of IT Infrastructre	04
505	Enterprise Applications & Relation Management	04
547	Finance Systems & Business Processes	04
546	IT Project Management	04

Method of Evaluation

The overall aim of the M.Sc. Programmes is to produce graduates who are competent in a variety of aspects of Information Technology, with the ability to apply their expertise in industrial and commercial environments. In support of this objective, the program is designed to develop abilities to critically analyze, design and evaluate alternate strategies in Information Technology. This will be achieved

through the weekly programme of lectures, assignments, seminars, projects and laboratory work. Each module is to be assessed by a combination of assignments, a mid-term test and a final examination. The details of assessment, performance criteria and assessment criteria of each module are given within the specification of the module.

Participation in the Academic Programme

- To become eligible to sit for examinations, 80% attendance at lectures, tutorials and other group based activities will be required.
- Unless otherwise approved, participation in all prescribed seminars and assignments, such as: tutorials, term papers, case studies, and project activities as envisaged in the course curriculum, is compulsory.

Pass in the M.Sc. Degree

A candidate is deemed to have passed the M.Sc. degree if he/she has successfully completed the evaluation requirements of each and every component of the M.Sc. degree programme content as given below:

- (a) The written examinations of all year 1 compulsory modules, all year 2 compulsory modules, and any 3 optional modules;
- (b) The seminars;
- (c) Assignments, term papers and other project based activities;
- (d) Collected a minimum of 48 credits (36 credits from compulsory modules and 12 credits from optional modules) from course modules offered according to the curriculum approved by the Institute; and
- (e) Successfully completed the research projects carrying 16 credits.

In the 2nd year, 1st Semester students may submit the Project Proposal which carries 4 credit points. Students are required to define research problems that they are pursuing to fulfill the thesis requirement. The literature review should be completed and the proposal should be defended at a panel of research supervisors. At the beginning of the third semester students should consult a supervisor recommended by the lecturer-in-charge.

If a student is unsuccessful in any course module component, the student may be allowed to take the same module again as a repeat student. For that, the student must submit assignments, and take the respective examination. Marks of assignments, midterm exams etc. cannot be carried forward.

In addition, to that, the student is advised to follow the lectures whenever possible.

Repeat students must register on pro-rata basis before taking the respective module.

Pass in the Postgraduate Diploma

A candidate is deemed to have passed the Postgraduate Diploma if he/she has successfully completed the evaluation requirements of each and every component of the year 1 of the M.Sc. degree programme content as given below:

- The written examinations of all year 1 compulsory modules, and any 2 optional modules;
- The seminars;
- Assignments, term papers and other project based activities;
- Collected a minimum of 32 credits (24 credits from compulsory modules and 8 credits from optional modules) from course modules offered according to the curriculum approved by the Institute.

If a student is unsuccessful in any course module component, the student may be allowed to take the same module again as a repeat student. For that, the student must submit assignments, and take the respective examination. Marks of assignments, midterm exams etc. cannot be carried forward. In addition, the student is advised to follow lectures whenever possible.

Repeat students must register on a pro-rata basis before taking the respective module.

Credit Rating

Credit rating for each subject for a semester is as indicated in the programme structure (pages 7, 9,11).

Award of Grades for Course Modules

To pass a course module, a student should obtain minimum grade 'C' in each component(i.e. the written examination and project based activities) of the course module.

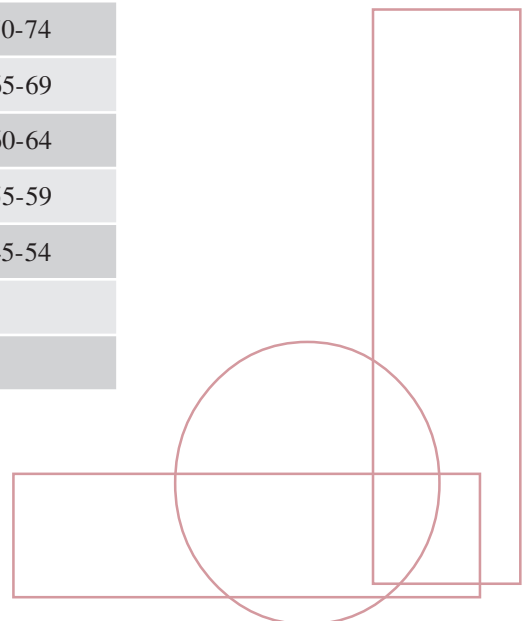
Grades of performance for the course modules shall be awarded as follows:

Grade	Grade Pts.	Definition of performance	Marks Range
A	4.0	Excellent performance	80-100
A ⁻	3.7		75-79
B ⁺	3.3		70-74
B	3.0	Good performance	65-69
B ⁻	2.7		60-64
C ⁺	2.3		55-59
C	2.0	Average performance	45-54
I	0.0	Incomplete	
F	0.0	Fail	

Calculation of Grade Point Average:

G.P.A. Requirement for the Award of M.Sc. Degrees;
Students will be awarded academic honours at degree level as follows;

- CGPA \geq 3.50 – Pass with Distinction
- 3.0 \leq CGPA < 3.50 – Pass with Merit
- 2.0 \leq CGPA < 3.50 – Pass





S.M.U.P. Samarakoon

B.Sc. IT (Hons) (SLIIT), M.Sc. IM(SLIIT)
Assistant Lecturer - SLIIT

Winner of MphasiS Award and cash Prize for the Outstanding Performance at the M.Sc. Degree

Being a student at SLIIT was a wonderful opportunity, for one in a fast moving and interdependent world. SLIIT helps young learners to meet the challenges that confront them now and in the future.

Due to the great enthusiasm and the fullest cooperation extended by SLIIT, I received the B.Sc. in Information Technology and M.Sc. in Information Management degrees. I was recognized the best outstanding performer with the M.Sc. in Information Management in 2010. Currently I work as an Assistant Lecturer at SLIIT. I cherish the days I spent at SLIIT. I can now inspire students and help explore fully their ability to maintain healthy careers across the world. SLIIT aims to raise young learners' awareness of global development issues and equips them with the skill and knowledge to become global citizens.

I am truly grateful to SLIIT for the excellent opportunity, tremendous dedication and cooperation extended towards me to shape my future.

I work as an Executive in the Information Systems Division at Ceylinco Life PLC with an experience of over 7 years in Information Systems .

Earning a Master's Degree after completion of higher education, marked a milestone in my career. This degree helps me establish myself well with my interests in IT Management and get recognized for more responsibilities in the future.

My decision to select SLIIT for the Master's Degree in Information Systems was a right decision. Qualified lecturer panel, labs , library and the environment made all of us comfortable throughout the two years. Schedule management in conducting lectures ,exams and convocations on time is very much appreciated. Combination of subjects and exposure to research oriented MSc with research symposiums have added more value to the degree and for future interests.

I thank all academic and non academic staff for their support and wish SLIIT all the best to deliver more graduates to the nation.



Sanjeeva Narangoda

BCS (UK), DCSD (NIBM), M.Sc. IS (SLIIT)
Executive - Information Systems

Winner of MphasiS Award and cash Prize for the Outstanding Performance at the M.Sc. Degree



Pushpika Wimaladasa

B.Sc(Hons) (SLIIT), M.Sc. (SLIIT)
Engineer – QA, Virtusa (Pvt) Ltd.

Winner of MphasiS Award and cash Prize for the Outstanding Performance at the M.Sc. Degree

I got enrolled in the Master's degree in Information Technology at the Sri Lanka Institute of Information Technology to fulfill an ambition towards career development.

On completion of Advanced Levels, SLIIT opened the gateway for me to step out into the wider world. I learnt in a very flexible environment with modern facilities. The lectures were very student centered. My stay there also enabled me to gain valuable knowledge to shape my future. The vast knowledge given by SLIIT enabled me to broaden horizons. Enrollment at SLIIT itself was a massive insight into modern technology to enter a new world of vast resources. Therefore, I have no hesitation in saying that the education given at SLIIT is incomparable.

I am proud to say I selected the best place possible. SLIIT provided me with the perfect type of environment to improve my skills in IT. The guidance and assistance from the energetic and encouraging staff, helped me with enough exposure to the ever evolving IT industry. I am now confident I will fit in anywhere. I am thankful, to the dedicated staff at SLIIT for their assistance and encouragement.

SLIIT has over 1000 personal Computers connected to a network and located at the Colombo Metropolitan Campus, the Malabe Campus and the centres at Kandy and Matara.

Labs at Metropolitan Campus

SLIIT Metropolitan Campus has the capacity of over 500 Personal Computers in 12 Laboratories. These Laboratories consist of Project Laboratory, Unix Laboratory with SUN/UNIX workstation, Multimedia Laboratories, CISCO Laboratory, Microsoft Laboratory and Electrical Engineering Laboratory. An exclusive, specially designed Laboratory for Postgraduate studies is also established at the 9th floor of SLIIT Metropolitan Campus.

Labs at Malabe Campus

SLIIT Malabe Campus has the capacity of over 400 Personal Computers in 7 computer Laboratories. These Laboratories consist of Bio Technology / Bioinformatics Laboratory, Data Communication Laboratory, Embedded Systems Laboratory, Robotics Laboratory and General Purpose Computing Resource Centre.

All these laboratories are served by high performance servers featuring multiple 64 bit dual-core processors. The Computer Network at SLIIT comprises a fibre optic backbone with managed giga-bit switching, providing future-proof connectivity with high availability, reliability and scalability.

Each course will have a component of practical assignments that will have to be carried out on a computer. In order to enable students to carry out their individual or group assignments, the Institute will provide free access to laboratories including a dedicated General Purpose Computing Resource Centre.

Professional staff will be at hand to guide and assist the students where necessary. All SLIIT students have free access to the Internet. SLIIT has multiple links to the Internet with aggregated bandwidth of more than 24 Mbps.



Library

The Library is being augmented continually to cater to the increased number of students and the expanding knowledge. Facilities are also available to connect to the Internet for reference work by students. With the expansion of the Library a lending scheme has been introduced. Students are expected to pay a refundable library deposit if books are to be borrowed by them.

The Libraries at Malabe and Colombo hold a collection of the latest books and periodicals covering the entire range of studies offered for the Degree programmes. Students will have free access to the library for reference work.

Research and Development Facilities

The Sri Lanka Technology Incubator also known as Concept Nursery.com located on the 8th floor of the Malabe Campus is established to assist and promote IT enterprises, innovators and IT start-up companies by providing access to business and technical expertise, financial resources, International industry contacts, communication facilities, training in IT, business advice and business plan development and marketing.

These Companies/establishments use the Institute's state-of-the art facilities including modern networking infrastructure and also will have access to a pool of expertise and well trained students to carry out research and development.

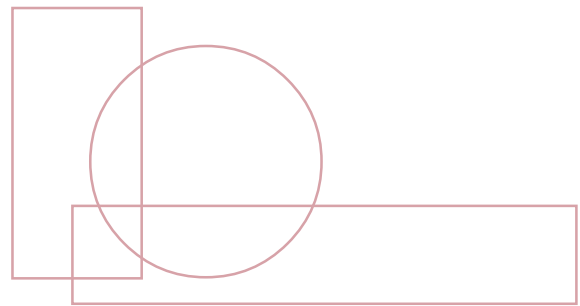
Selected students will have the opportunity to work in this facility by engaging themselves in research and development projects undertaken by these resident companies. The exposure will provide the students with valuable experience in a working environment.



In addition to IT Training, the Sri Lanka Institute of Information Technology has an in-house facility, the Software Engineering Services Division (SESD) that undertakes overall computerization projects and also works as Consultants/ Project Managers for projects that include Computer Hardware, Computer Networking and Software Development for the public sector as well as the private sector.

Within a short span of time the SESD has emerged a market leader in the field of Software Development and IT consultancy in Sri Lanka. SESD is ISO certified for the software development process.

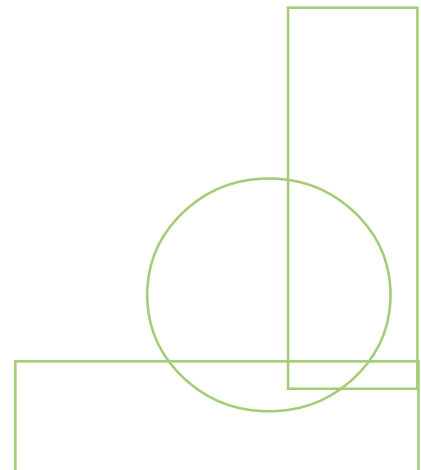
Selected students who excel in their academic activities will be able to work in the Software Engineering Services Division as interns with our experienced software development team, which will provide the students a chance to get on-the-job training.



Professional Development Programmes Division

SLIIT currently conducts various programmes for professional development in addition to the core programmes like the undergraduate, postgraduate & diploma programmes. The present professional development programmes are as given below.

- CISCO Networking Academy Programme
- Microsoft IT Academy Programme
- Knowledge Worker Certificate Course
- Information Systems Executive Programme
- Web Developer Programme
- Linux Administration Programme
- Graphic Designing programme
- Sun Solaris Administration Programme
- Certified Information Systems Auditor (CISA) Programme



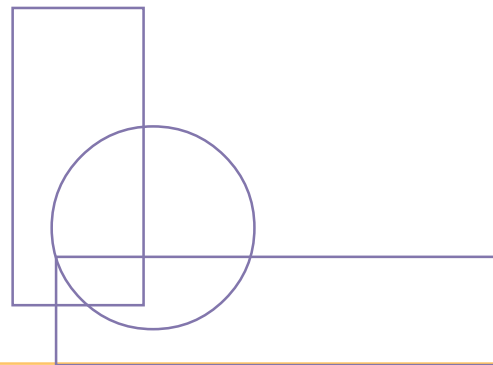
With SLIIT's unique recognition from world renowned Microsoft, CISCO and ICDL these programmes are designed for quick mastery within a short period of time and are taught by well qualified well experienced professional staff willing to extend specialized training skills.

The SLIIT received the distinction of becoming the first institution to gain Microsoft IT Academy accreditation and first and is the only CISCO Regional Network Academy accreditation in Sri Lanka to deliver a complete technology training solution to those enrolling for professional development programmes.

IT Services Division is responsible for IT infrastructure at Sri Lanka Institute of Information Technology. This includes maintenance of more than 1000 personal computers and 20 servers, serving more than 16 laboratories and more than 3000 users.

The SLIIT Local Area Networks at both Metropolitan and Malabe campuses feature a state of the art gigabit backbone with Layer-3 switching for high speed LAN connectivity. These two campuses and Matara centre are inter-connected via point-to-point leased lines with speeds up to 2Mbps. The Internet bandwidth to Metro campus is more than 12Mbps while that of Malabe campus is more than 8Mbps. Malabe campus also provides Wi-Fi access to students so that they could use their own laptop computers on campus.

IT Services division has dedicated and highly experienced staff for IT user support and system maintenance.

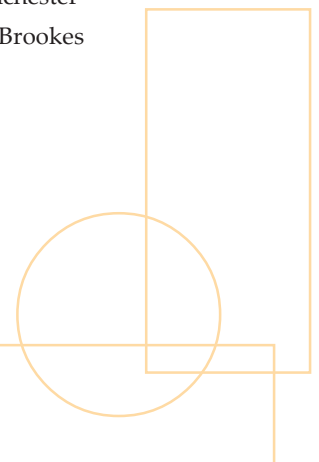


Links with Foreign Universities & IT Industry

SLIIT has established strong academic links with several Universities in Australia and the United Kingdom, such as Curtin University of Technology, Swinburne University of Technology, Monash University, University of Wollongong, RMIT University, Deakin University and University of South Australia in Australia and Sheffield Hallam University of the United Kingdom for the award of degrees from these Universities. In addition SLIIT in partnership with Edexcel International of UK provides pathways for SLIIT student to graduate from over 30 Edexcel Partner Universities in the United Kingdom which include Manchester Metropolitan University, University of Southampton, London Metropolitan University, Oxford Brookes University, Staffordshire University etc.

SLIIT also has strong links with the IT industry in Sri Lanka and abroad. World leaders in IT such as CISCO and Microsoft have established partnerships with SLIIT in conducting world renowned training programmes at SLIIT.

Virtusa(pvt) Ltd, IFS Limited and other leading IT companies in Sri Lanka have professional links with SLIIT and a large number of SLIIT graduates are employed in these companies.



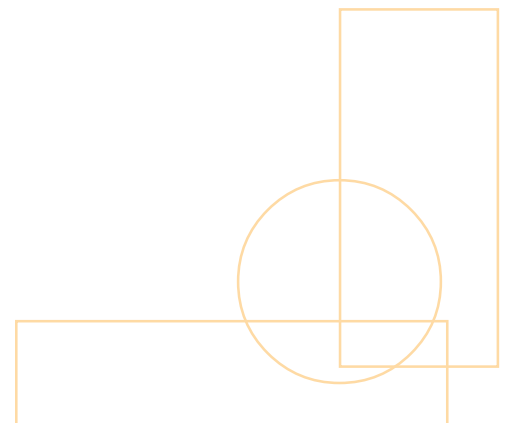
An all inclusive fee to cover lectures, tutorials and examinations and access to computer laboratory facilities and library is payable prior to the commencement of the programme.

The Tuition fees of M.Sc. programme can be paid in two installments. The Tuition fee of Rs.135,000.00 + 15% (Government Taxes) which amount to Rs.155,250.00 should be paid prior to the commencement of the 1st year of the M.Sc. programme. The fee of Rs.90,000.00 + 15% (Government Taxes) which amount to Rs.103,500.00 should be paid prior to the commencement of the 2nd year of the M.Sc. programme.

The fees should be credited to, Account No 1630552 of the Bank of Ceylon in favour of Sri Lanka Institute of Information Technology, at the Bank of Ceylon Kollupitiya Branch located at the first floor of the BoC Merchant Tower Building or at any branch of the Bank of Ceylon; or to Account No 00 399 0000033 of the Sampath Bank at any branch of Sampath Bank.

Fees paid will not be refunded. However, requests for refund of fees may be considered if made before the expiry of one week from the date of commencement of lectures. The refund, if effected, will be subject to a deduction of ten percent. If a request for a refund is received after one week but before the end of one month, the deduction will be fifty percent. Thereafter, there will be no refund of fees.

Application Processing Fee		Rs. 500.00
Tuition Fee	1st year M.Sc. Degree/PG Diploma Programme	Rs. 135,000.00 + 15% (Govt. taxes)
	2nd year M.Sc. Degree Programme	Rs. 90,000.00 + 15% (Govt. axes)



Identification

SLIIT will issue Identity Cards for the students. Every student shall carry in his / her person the Identity card whilst in the SLIIT premises and shall produce the Identity Card when called upon to do so by a member of the Academic / Administrative / Security Staff.

General Conduct

All students are expected to conduct themselves in an exemplary manner by way of good conduct, good behavior and discipline both within the SLIIT and outside. Students should not engage themselves in acts which will bring discredit to the SLIIT or tarnish the image and good name of the SLIIT.

Freedom from Harassment

SLIIT recognizes the right of students to be free from harassment. As such, any action by a student or a group of students which causes mental or physical harm or discomfort of any sort to a fellow student is strictly forbidden.

Academic Dishonesty and Plagiarism

SLIIT recognizes the importance of genuine intellectual effort by students. Therefore, all students should refrain from academic dishonesty and plagiarism.

Use of Computer Laboratories

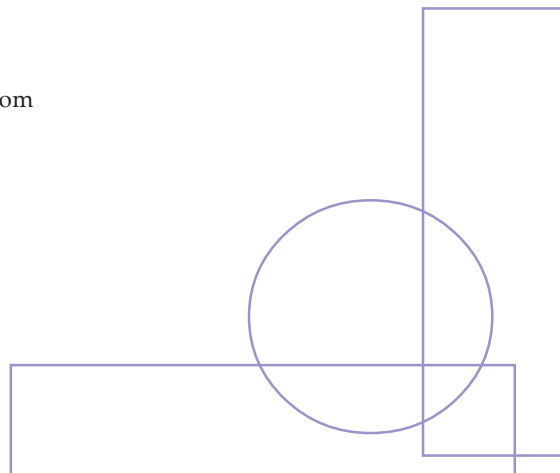
Computer Laboratories and Internet facilities should be used by students only for academic purposes. Misuse of above facilities is strictly prohibited.

Use of Buildings

SLIIT has fully air-conditioned modern buildings with accessories and fittings so as to provide a comfortable and conducive environment for students to be engaged in gainful study. Students should assist the SLIIT in maintaining these expensive facilities in good order and should not in any way damage, deface or cause impairment to these facilities. Students noticing any situation which is likely to affect the security of the buildings and its occupants should bring such to the notice of the Security Staff or any staff member of the SLIIT immediately.

Entertaining Visitors by Students

Students should not bring outsiders to any of the Campuses of the SLIIT. In case of necessity, due permission should be obtained from an official of the SLIIT.



Subscriber Members :

Professor S. Karunaratne	:	Chancellor & Chairman, SLIIT, Professor Emeritus and former Vice Chancellor University of Moratuwa, Sri Lanka
Professor Lalith Gamage	:	President /CEO & Chief Academic Officer, SLIIT Adjunct Professor, Curtin University of Technology, Australia Visiting Professor, University of British Columbia
Mr. Thilan M. Wijesinghe	:	Board Member
Mr. T. P. G. N. Leelaratne	:	Board Member
Mr. T. H. R. T. de Silva	:	Board Member, Chief Accountant, Mahapola Trust Fund

Appointed Members :

Professor L.L. Ratnayake	:	Former Vice Chairman, University Grants Commission
Mr.Lalith R. De Silva	:	Secretary, Ministry of Trade, Mktng. Development, Cooperatives & Consumer Services, Secretary, MESTF
Mr. S.D.V.K. Gunasekara	:	Board Member
Dr.Koliya Pulasinghe	:	Dean-Academic Affairs, SLIIT
Dr. Mahesha Kapurubandara	:	Dean-Student Affairs, SLIIT

Board of Studies**Chairman** : Professor S. Karunaratne

Prof. Lalith Gamage	Dr. Rohan Samarasinghe
Dr. Mahesha Kapurubandara	Mr. Nuwan Kodagoda
Prof. Lakshman Ratnayake	Mr. Jayantha Amaraarachchi
Honorary Prof. Clarence W. De Silva	Mr. Yashas Mallawarachchi
Adjunct Prof. Saman Halgamuge	Mr. Samantha Rajapaksha
Prof. Jagath Rajapakse	Mr. Prasanna Sumathipala
Dr. Koliya Pulasinghe	Ms. Maliendra Gunawardene
Dr. Theekshana Suraweera	Eng. Tilak De Silva
Dr. Chandimal Jayawardena	Mr. Sanjeev Jayarathnam
Dr. Malitha Wijesundara	Mr. Mohammed Azmeer
Dr. Samantha Thelijjagoda	Eng. Yasantha Warawita
Dr. Mohammed Anver	

